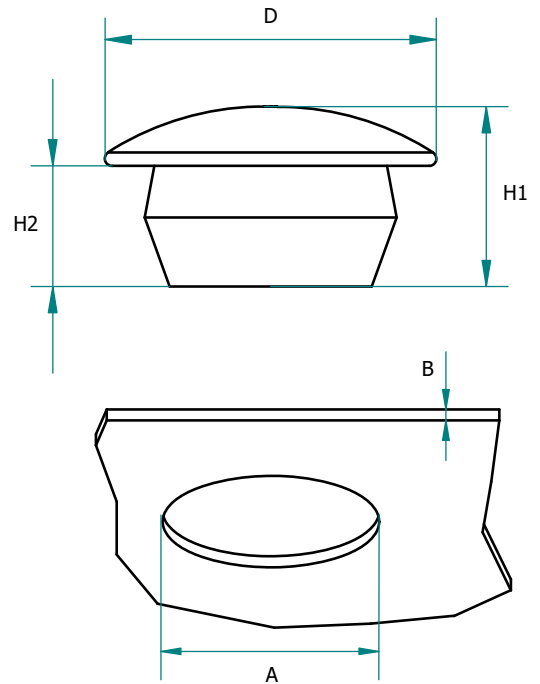


STOPFEN  
*PLUGS*



KAROSSESTOPFEN  
*BLANKING PLUG*



Artikel Nr. <i>Part no.</i>	Nennmaß <i>Nominal size</i>	Loch Ø <i>Panel hole size</i>	Wandstärke <i>Panel thickness</i>	Gesamt Ø <i>Total Ø</i>	Gesamthöhe <i>Total height</i>	Einbaumaß <i>Installation dimension</i>	Material <i>Material</i>	
		A	B	D	H1	H2		
1500	M 6	6	1 - 3,0	12,0	11,5	8,5	EB	
1501	M 8	8	1 - 3,0	14,0	11,5	8,5	EB	
1502	M 10	10	1 - 3,0	16,0	12,0	8,5	EB	
1503	M 12	12	1 - 3,0	18,5	12,0	8,5	EB	
1504	M 16	16	1 - 3,0	23,0	12,5	8,5	EB	
1505	M 20	20	1 - 3,0	27,0	13,0	8,5	EB	
1506	M 25	25	1 - 3,0	32,5	13,0	8,5	EB	

**Information:**  
EB = EPDM, schwarz

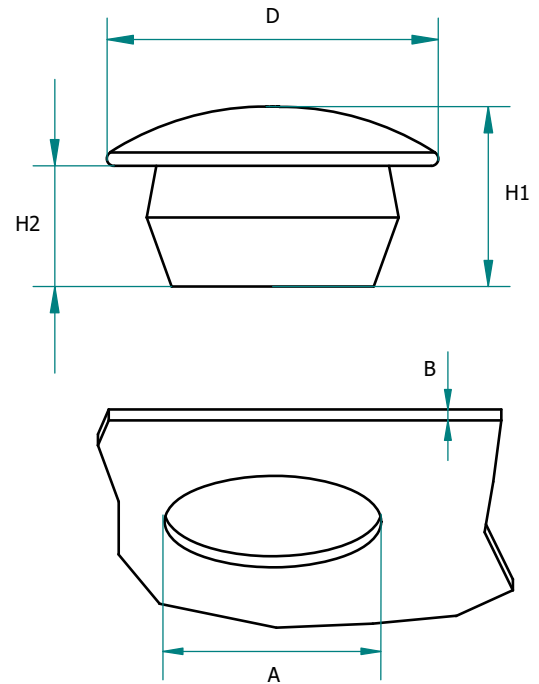
Toleranzen nach (DIN ISO 3302, Teil 2 M2F)  
Irrtum vorbehalten

**Information:**  
EB = EPDM, black

General measuring tolerances (DIN ISO 3302, section 2 M2F)  
Errors excepted



KAROSSERIESTOPFEN  
*BLANKING PLUG*



Artikel Nr. <i>Part no.</i>	Nennmaß <i>Nominal size</i>	Loch Ø <i>Panel hole size</i>	Wandstärke <i>Panel thickness</i>	Gesamt Ø <i>Total Ø</i>	Gesamthöhe <i>Total height</i>	Einbaumaß <i>Installation dimension</i>	Material <i>Material</i>	
		<b>A</b>	<b>B</b>	<b>D</b>	<b>H1</b>	<b>H2</b>		
1507	M 32	32	1 - 3,0	39,5	13,0	8,5	EB	

**Information:**

EB = EPDM, schwarz

Toleranzen nach (DIN ISO 3302, Teil 2 M2F)  
Irrtum vorbehalten

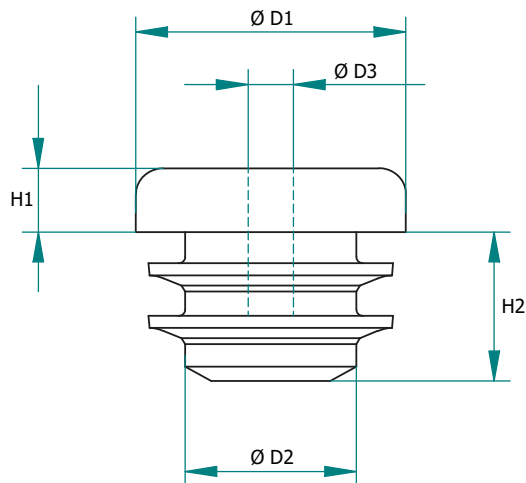
**Information:**

EB = EPDM, black

General measuring tolerances (DIN ISO 3302, section 2 M2F)  
Errors excepted



# LAMELLENSTOPFEN LAMELLAR PLUGS



Artikel Nr. Part no.	Nennmaß Nominal size	Durchmesserbereich Diameter range	Kopf Ø Head Ø	Kopfhöhe Head height	Schaftlänge Shaft length	Schaft Ø Shaft Ø	Sackloch Ø Blind hole Ø	Material Material	
			ØD1	H1	H2	Ø D2	Ø D3		
1611	M 5	4,0 - 5,5	8,0	2,5	7,00	3,50	1,80	EB, NB, SR	
1612	M 6	5,5 - 7,0	9,0	2,8	7,00	4,50	2,50	EB, NB, SR	
1613	M 8	7,0 - 8,5	10,5	3,0	7,00	6,50	2,50	EB, NB, SR	
1614	M 10	8,5 - 10,0	12,0	3,0	7,00	7,50	2,50	EB, NB, SR	
1615	M 12	10,0 - 12,0	14,0	3,0	7,00	8,80	3,00	EB, NB, SR	
1616	M 16	12,0 - 16,0	18,0	4,0	9,80	10,60	4,00	EB, NB, SR	
1617	M 20	16,0 - 20,0	25,0	5,5	13,70	12,90	6,30	EB, NB, SR	

**Information:**

EB = EPDM, schwarz ; NB = NBR, schwarz ; SR = Silikon, rot

Toleranzen nach (DIN ISO 3302, Teil 2 M2F)  
Irrtum vorbehalten

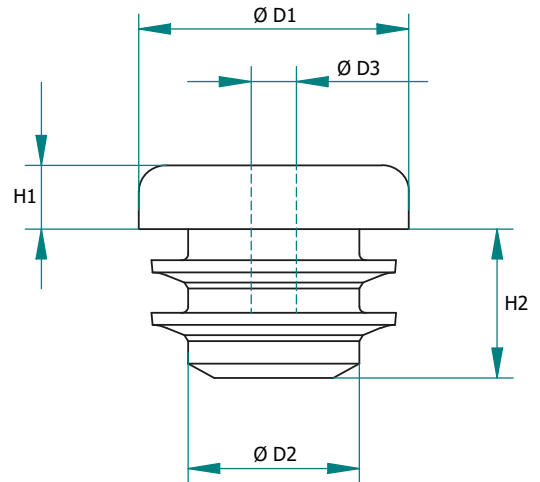
**Information:**

EB = EPDM, black ; NB = NBR, black ; SR = Silicon, red

General measuring tolerances (DIN ISO 3302, section 2 M2F)  
Errors excepted



LAMELLENSTOPFEN  
*LAMELLAR PLUGS*



Artikel Nr. <i>Part no.</i>	Nennmaß <i>Nominal size</i>	Durchmesserbereich <i>Diameter range</i>	Kopf Ø <i>Head Ø</i>	Kopfhöhe <i>Head height</i>	Schaftlänge <i>Shaft length</i>	Schaft Ø <i>Shaft Ø</i>	Sackloch Ø <i>Blind hole Ø</i>	Material <i>Material</i>	
			ØD1	H1	H2	Ø D2	Ø D3		
1618	M 24	20,0 - 24,0	30,0	6,0	17,00	16,70	9,30	EB, NB, SR	

**Information:**

EB = EPDM, schwarz ; NB = NBR, schwarz ; SR = Silikon, rot

Toleranzen nach (DIN ISO 3302, Teil 2 M2F)  
Irrtum vorbehalten

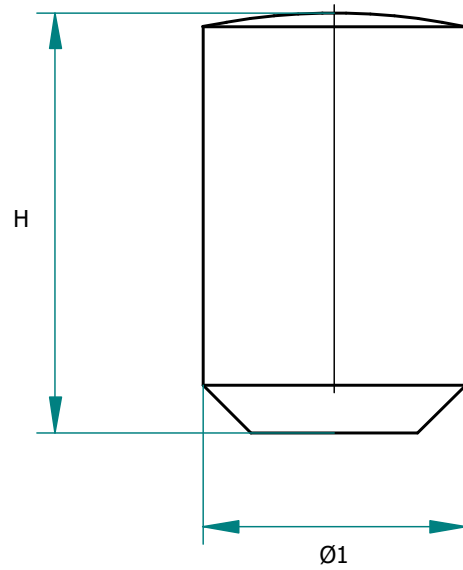
**Information:**

EB = EPDM, black ; NB = NBR, black ; SR = Silicon, red

General measuring tolerances (DIN ISO 3302, section 2 M2F)  
Errors excepted



**STECKFUSS**  
*RUBBER STOPPER*



Artikel Nr. <i>Part no.</i>	Gesamt Ø <i>Total Ø</i>	Gesamthöhe <i>Total height</i>	Material <i>Material</i>	
	Ø1	H		
1649 <sup>1)</sup>	4,5	7,7	EB	
1699	5,0	6,3	EB	
1683	6,0	9,5	EB	
1700	5,0	6,0	EB	

**Information:**

EB = EPDM, schwarz

1) = Durchgangsbohrung von Ø 1,2mm

Toleranzen nach (DIN ISO 3302, Teil 2 M2F)

Irrtum vorbehalten

**Information:**

EB = EPDM, black

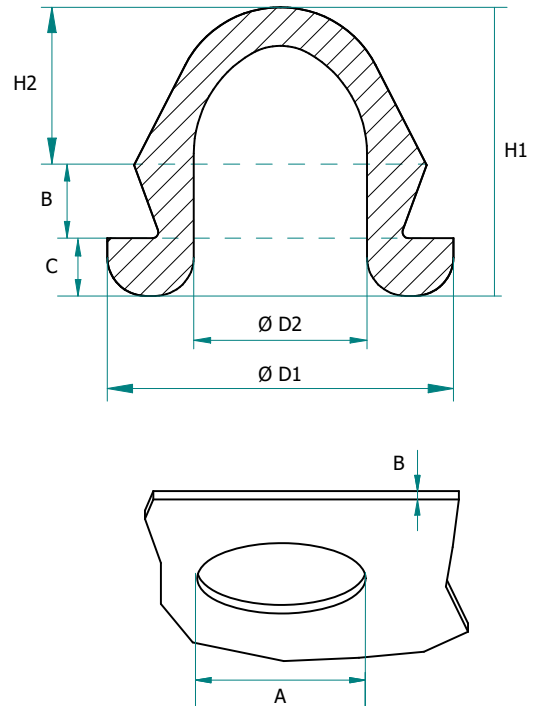
1) = drill-hole Ø 1,2mm

General measuring tolerances (DIN ISO 3302, section 2 M2F)

Errors excepted



**TÜLLENPUFFER**  
*RUBBER BUMPER*



Artikel Nr. <i>Part no.</i>	Nennmaß <i>Nominal size</i>	Loch Ø <i>Panel hole size</i>	Wandstärke <i>Panel thickness</i>	Bundhöhe <i>Collar height</i>	Gesamt Ø <i>Total Ø</i>	Loch Ø <i>Hole Ø</i>	Gesamthöhe <i>Total height</i>	Material <i>Material</i>	
		<b>A</b>	<b>B</b>		<b>Ø D1</b>		<b>H1</b>		
3550	M10	10,5	1 - 3,0	3,0	15,0	7,0	13,0	EB	
3551	M12	12,5	1 - 3,0	3,0	18,0	9,0	15,0	EB	
3552	M16	16,5	1 - 3,0	3,0	22,0	12,2	17,0	EB	
3553	M20	20,5	1 - 3,0	3,0	26,0	15,2	19,0	EB	

**Information:**

EB = EPDM, schwarz

Toleranzen nach (DIN ISO 3302, Teil 2 M2F)  
Irrtum vorbehalten

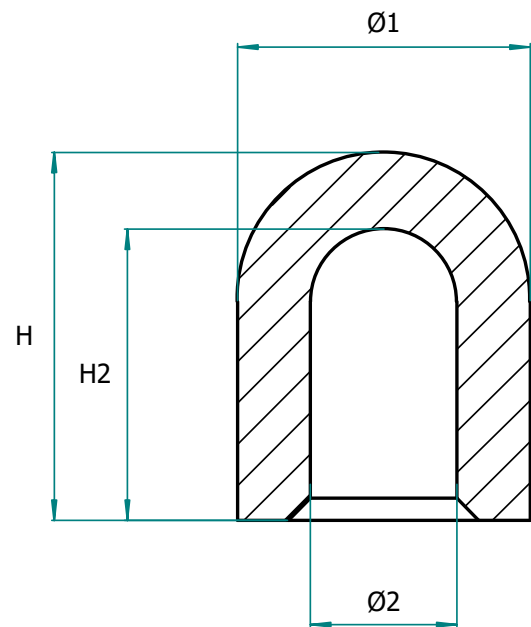
**Information:**

EB = EPDM, black

General measuring tolerances (DIN ISO 3302, section 2 M2F)  
Errors excepted



ABDECKKAPPEN  
MASKING CAPS



Artikel Nr. Part no.	Gesamt Ø Total Ø	Loch Ø Hole Ø	Gesamthöhe Total height	Höhe innen Height inner	Material Material	
	Ø1	Ø2	H	H2		
1913	5,5	2,7	5,0	3,8	EB	
1918	7,0	2,4	9,0	6,4	EB	
1732	12,3	10,6	25,0	24,1	EB	
1712	13,0	8,2	11,0	9,0	EB	

**Information:**

EB = EPDM, schwarz

Toleranzen nach (DIN ISO 3302, Teil 2 M2F)  
Irrtum vorbehalten

**Information:**

EB = EPDM, black

General measuring tolerances (DIN ISO 3302, section 2 M2F)  
Errors excepted





**A. Vogt GmbH & Co. KG**

Weberstraße 7

D - 59757 Arnsberg

Germany

Fon +49 (2932) 9636-0

Fax +49 (2932) 9636-60

Mail [info@gummivogt.de](mailto:info@gummivogt.de)